

# Varnasan

CONTROL VALVE TECHNOLOGIES

## SAFETY VALVES

### Carbon Steel, Threaded

VS-EMV-TKLŞ-DI-KÇ

#### Design

Size : VARNASAN  
 Connection : BSP(DIN 259), NPT(ASME B 1.20.1)

#### Technical Features

Working Pressure : PN16, PN40  
 Working Temperature : -30°C / +180°C  
 Material : Carbon Steel

#### Certificate

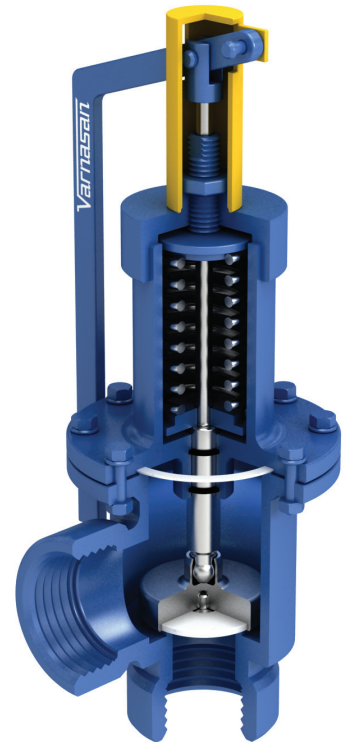
CE0042, TS EN 10204 3.1

#### Application

Hot water, cold water, compressed air, fuel oil, ceramic etc.

#### Working Pressure

DN15 - DN65 : 4 - 16 Bar  
 DN80 - DN100 : 16 - 20 Bar  
 Max. : 20 Bar



NO	PART NAME	CARBON STEEL
1	BODY	ST 37
2	CAP	ST 37
3	SHAFT	AISI 316/304
4	DISC	AISI 316/304
5	BALL SHAFT	ST 37
6	SPRING	SPRING STEEL
7	UPPER BODY	ST 37
8	UPPER COVER	ST 37
9	DISC SEAT	PTFE
10	VALVE HANDLE	ST 37
11	CONNECTION ELEMENT	8.8 STEEL
12	O-RING	VITON

TYPE	SAFETY VALVES - CARBON STEEL - THREADED											
	DN	L	INPUT				OUTPUT				Ex	Kx
			ØD	ØDb	ØDü	ØDd	ØD	ØDb	ØDü	ØDd		
	1/2"-1"	356	15	18	18,63	20,96	25	20	30,29	33,25	57	65
	3/4"-1 1/4"	372	20	18	24,16	26,44	32	24	38,95	41,91	61	70
	1"-1 1/2"	430	25	20	30,29	33,25	40	24	44,85	47,81	74	85
	1 1/4"-2"	445	32	24	38,95	41,91	50	29	56,66	59,62	80	95
	1 1/2"-2 1/2"	448	40	24	44,85	47,81	65	30	72,23	75,19	82	100
	2"-3"	560	50	165	56,66	59,62	80	33	84,93	87,89	84	120

